

BICYCLE & AUTOMOTIVE TUBES

ARKO

AN ISO 9001-2015 CERTIFIED CO.



COMPANY PROFILE

ARKO, the brand name symbolizing the steely ambition of the **ARKO** brothers, came into being in the year 1993. From the modest manufacturer of bicycle components to bicycle manufacturer today, the odyssey was fueled by one vision – to build long – lasting relationships with everyone, including workers, dealers and vendors. This philosophy has paid rich dividends through the years.

ARKO group name synonyms with Bicycles and Bicycle Products in India, is today a multi – unit, multi – product, geographically diversified Group of companies. Through fully integrated operations, the **ARKO** people make critical components such as Hub, Rims, Chainwheel, Freewheels, Bicycle Tube, Auto Tube and Complete Bicycle, and have the foresight to simultaneously diversify into myriad ventures, like Product Designing, IT enabled services, Finance, just to name a few. We use only high quality graded raw material from reputed manufacturers and suppliers, we have the latest in-house computerized laboratories and testing facilities for raw material and finished good, which ensures strict quality control steps. To support this quality standards, we have ISI quality certification from Bureau of Indian Standards and ISO 9001:2015 certificate thus satisfying International and Domestic Market.

Thus, apart from being customer-centric, the **ARKO** Group also provides its employees with a fine quality of life and its business associates with a total sense of belonging.

Like every success story, **ARKO** saga contains an element of spirit and enterprise; of achievement through grit and determination, coupled with vision and meticulous planning. This is what drives the Group to seek newer vistas, adopt faster technology and create quality driven products to the utmost satisfaction of customers, partners, dealers and vendors. Today the **ARKO** Group has several accolades and achievements to its credit yet consumer requirements and newer technologies provide fresh challenges every day, and at **ARKO** the wheels of progress continue to turn...

The **ARKO** Group philosophy is:

"To provide excellent transportation to the common man at easily affordable prices and to provide total satisfaction in all its spheres of activity."



Bicycle Tube



BICYCLE JOINTED TUBE

Size (in MM)	ETRTO Size (in MM)	Remarks	Packing Size
28x1½	40-635	Heavy Duty 300 gm	210 Pc.
28x1½	40-635	Extra Heavy Duty 320 gm	210 Pc.
28x1½	40-635	King 350 gm	180 Pc.
28x1½ Box	40-635	Maharathi 400 gm	100 Pc.
28x1½	40-635	Tiger 350 gm	180 Pc.
28x1½	40-635	Hathi 350gm Box Packing	100 Pc.
26x2.125/1.95/1.75	47/52/57-559	Ranger	210 Pc.
26x1.3/8	37-590	SLR	210 Pc.
26x1½	40-584	26x1½	210 Pc.
24x2.125/1.95/1.75	47/52/57-507	Junior Ranger	210 Pc.
24x1½	40-534	Junior Heavy Duty	210 Pc.
20x2.125/1.75/1.95	47/52/57-406	Kids	210 Pc.
16x2.125/1.75/1.95	47/52/57-305	Kids	210 Pc.

Bicycle Tube



BICYCLE MOULDED TUBE

Size (in MM)	ETRTO Size (in MM)	Remarks	Packing Size
29x2.10/2.35	54/60 - 622		210 Pc.
28x1½ BOX	40-635	MAHARATHI 400 gm	100 Pc.
28x1½ BOX	40-635	HATHI 350gm	100 Pc.
28x1½	40-635	HEAVY DUTY 300gm	210 Pc.
28x1½	40-635	EXTRA HEAVY DUTY 320gm	210 Pc.
28x1½	40-635	KING 350gm	180 Pc.
28x1½	40-635	TIGER 350gm	180 Pc.
27x1¾	37 - 630		210 Pc.
27.5x1.90/2.10/2.35	47/54/60-584		210 Pc.
26x4.00	100-559	FAT BIKE-BUTYL	100 Pc.
26x3.00	80-559	FAT BIKE-BUTYL	100 Pc.
26x2x1¾	54-571	RANGER	210 Pc.
26x2/2.10	54 - 559		210 Pc.
26x2.35	60-559		210 Pc.
26x1.75/1.95/2.125	47/52/57-559		210 Pc.
26x1½	37-590	26x1½	210 Pc.
26x1½	40-584	26x1½	210 Pc.
24x2.35	60-507	LONG VALVE	210 Pc.
24x1.75/1.95/2.125	47/52/57-507	JUNIOR RANGER Long Valve	210 Pc.
24x1¾	37-540		210 Pc.
24x1½	40-534		100 Pc.
20x2.35	58-406	LONG VALVE	210 Pc.
20x1.75/1.95/2.125	47/52/57-406	LONG VALVE	210 Pc.
20x1¾	37-451		210 Pc.
16x1.75/1.95/2.125	47/52/57-305	SMALL	210 Pc.
14x1.75/1.95/2.125	47/52/57-254	SMALL	210 Pc.
12½ x 2.125	62-203		210 Pc.

Automotive Tube

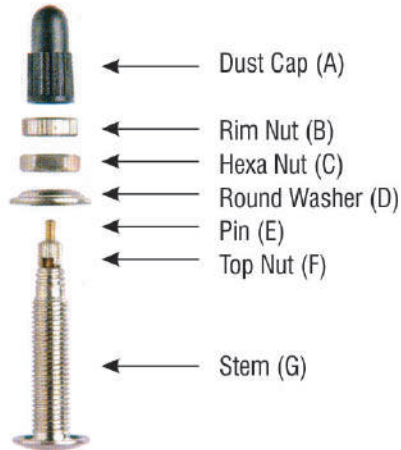


BUTYL TUBE

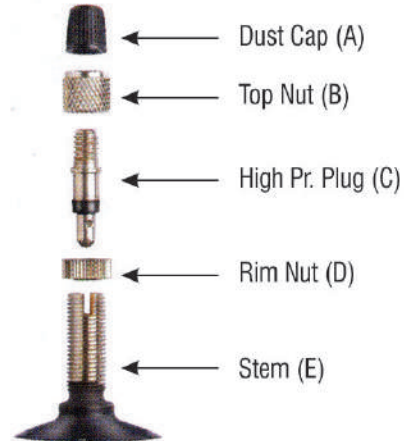
Size (in MM)	VAVLE Size (in MM)	Packing Size
MOTORCYCLE BUTYL TUBE		
2.75/300.17	TR29	25 Pc.
2.75/300.18	TR29	25 Pc.
100/90-17	TR29	25 Pc.
100/90-18	TR29	25 Pc.
3.00/3.25-19	TR29	25 Pc.
2.25/2.50-16-17	TR29	25 Pc.
SCOOTER BUTYL TUBE		
3.50-8	V10803	25 Pc.
3.50-10	V10801	25 Pc.
90-90-12	V10801	25 Pc.
E-RICKSHAW BUTYL TUBE		
2.75x300-14	TR29	25 Pc.
3.75-12	V10801	25 Pc.
THREE WHEELER/AUTO BUTYL TUBE		
4.00-8	V10803	25 Pc.
4.50/5.00-10	TR13	25 Pc.
CAR (RADIAL) BUTYL TUBES		
R 12	TR13	20 Pc.
R 13	TR13	20 Pc.
R 14	TR13	15 Pc.
R 15	TR13	15 Pc.
TRACTOR		
5.50-6.00-16	TR15	15 Pc.
5.90-15	TR13	15 Pc.
7.50-16 Long Value	1582	15 Pc.
7.50-16	TR15	15 Pc.
7.25-19	TR14	

Tube Valves

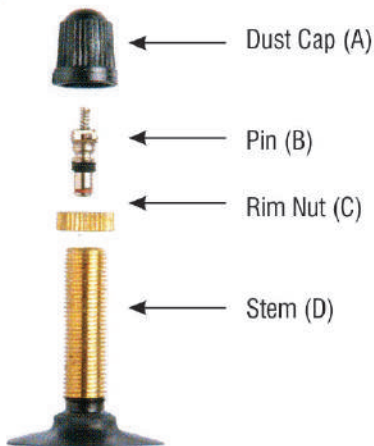
French Valve-Jointed (FVSJ-32L)



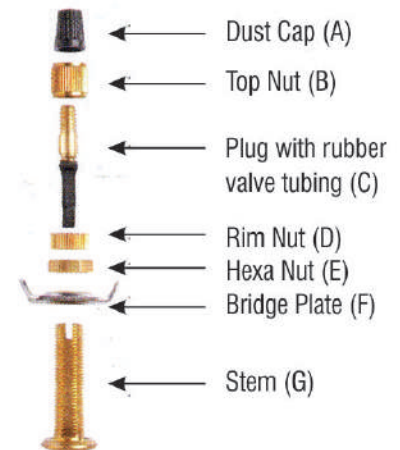
German Valve GVSM (Full Thread)



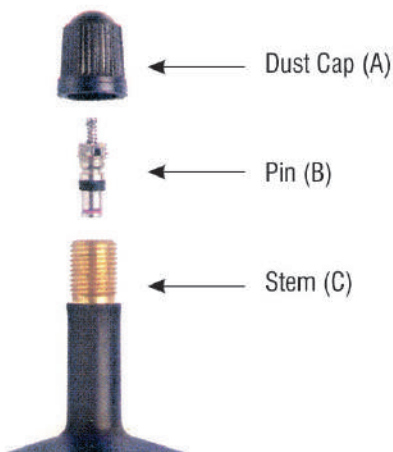
American Valve Full Thread (AVSM)



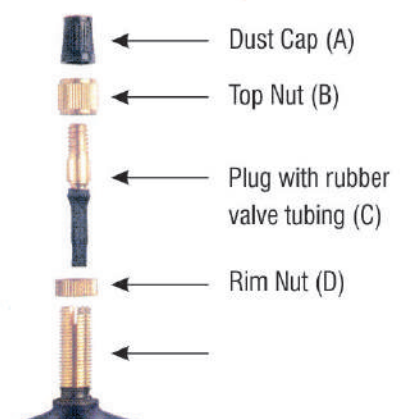
Donlop Valve-Jointed DVSJ-32L/48L



American Valve Half Thread



Dunlop Valve-Moulded DVSM/DVR



Auto Tube Valves



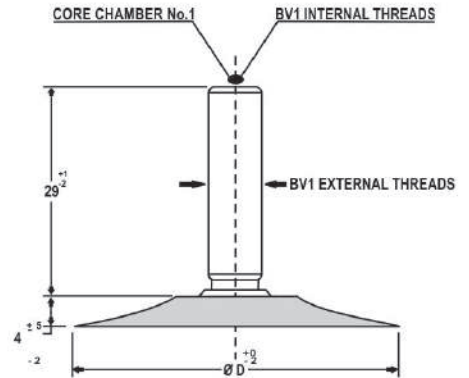
Motor Cycle Valves-TR-29



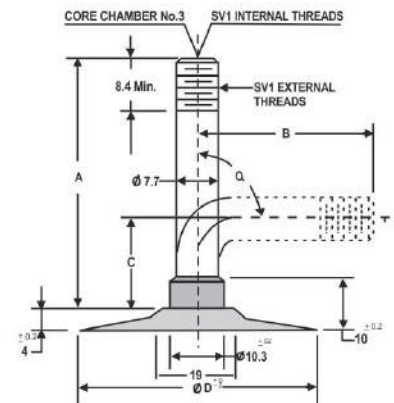
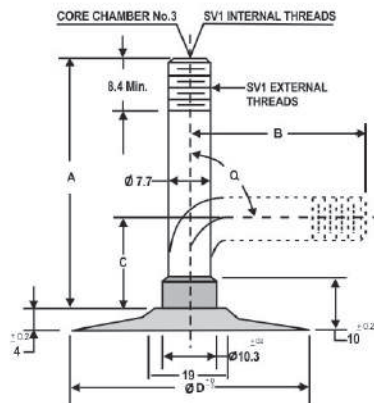
Brass Finish Stem



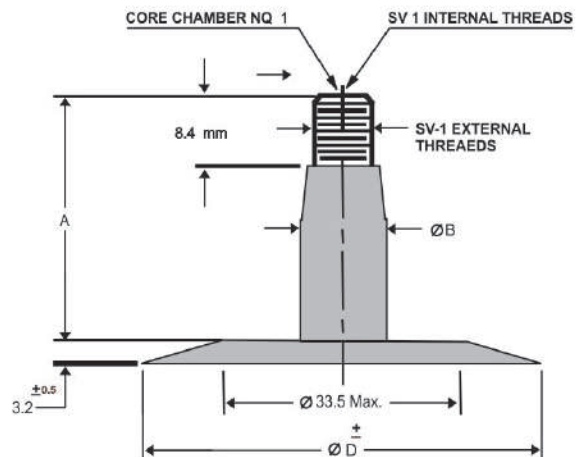
Nickel Plated Stem



Scooter Valves V-10803/V-10801



Industrial Vehicle Valves TR-13/TR-14/TR-15





AN ISO 9001-2015 CERTIFIED CO.

AMAR CHAND & SONS

Village Lakhawal, Kohara Road, Ludhiana. (Pb.) INDIA

Tel.: +91-161-4627250 Mobile : +91-98838 17000

E-mail : amarchandlkh@gmail.com Website: www.amarchanhandsons.com